

KEY FEATURES

- 50 W_{RMS} power handling
- Sensitivity: 91 dB (1W / 1m)
- 1" copper voice coil
- Extended controlled displacement: $X_{max} \pm 6,7$ mm
- Low resonance for low frequency extension
- Flat response and low harmonic distortion
- Rubber surround
- Die cast aluminium basket
- Ferrite magnet

TECHNICAL SPECIFICATIONS

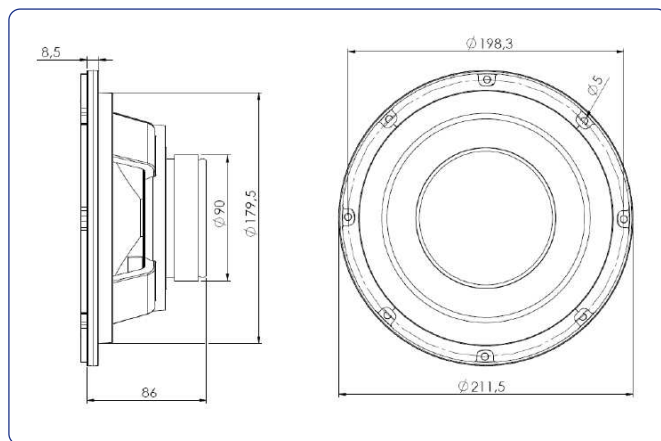
Nominal diameter	200 mm	8 in
Rated impedance		8 Ω
Minimum impedance		6,4 Ω
Power capacity*		50 W _{RMS}
Program power		100 W
Sensitivity	91 dB	1W / 1m @ Z _N
Frequency range		30 - 6.000 Hz
Recom. enclosure vol.	20 / 60 l	0,7 / 2,12 ft ³
Voice coil diameter	25,4 mm	1 in
BI factor		6,8 N/A
Moving mass		0,021 kg
Voice coil length		16 mm
Air gap height		6 mm
X _{damage} (peak to peak)		20 mm

THIELE-SMALL PARAMETERS**

Resonant frequency, f_s	30 Hz
D.C. Voice coil resistance, R_e	5,5 Ω
Mechanical Quality Factor, Q_{ms}	2,05
Electrical Quality Factor, Q_{es}	0,48
Total Quality Factor, Q_{ts}	0,39
Equivalent Air Volume to C_{ms} , V_{as}	89,1 l
Mechanical Compliance, C_{ms}	1.301 μm / N
Mechanical Resistance, R_{ms}	1,99 kg / s
Efficiency, η_0	0,5 %
Effective Surface Area, S_d	0,022 m ²
Maximum Displacement, X_{max} ***	6,7 mm
Displacement Volume, V_d	147 cm ³
Voice Coil Inductance, L_e @ 1 kHz	0,5 mH



DIMENSION DRAWINGS



MOUNTING INFORMATION

Overall diameter	211,5 mm	8,00 in
Bolt circle diameter	198,3 mm	7,80 in
Baffle cutout diameter:		
- Front mount	179,5 mm	7,06 in
Depth	77,5 mm	3,05 in
Net weight	1,35 kg	2,98 lb
Shipping weight	1,55 kg	3,41 lb

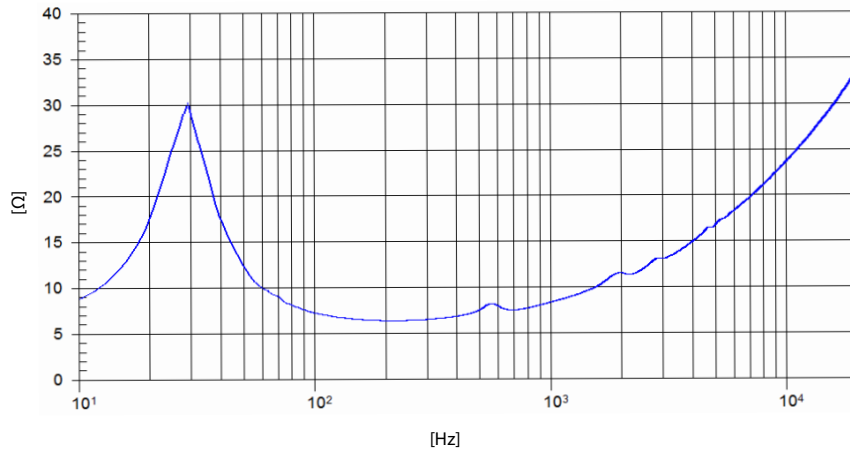
Notes:

* The power capacity is determined according to AES2-1984 (r2003) standard. Program power is defined as the transducer's ability to handle normal music program material.

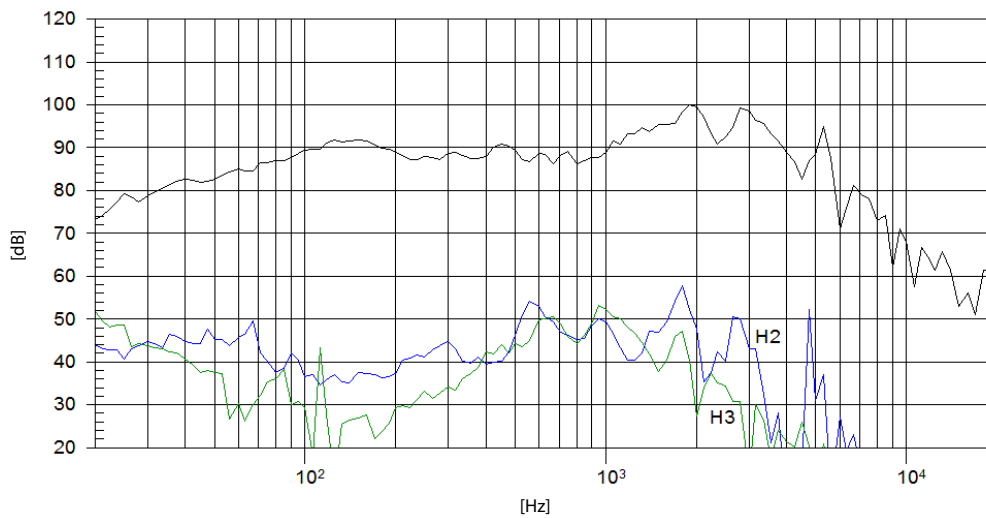
** T-S parameters are measured after an exercise period using a preconditioning power test. The measurements are carried out with a velocity-current laser transducer and will reflect the long term parameters (once the loudspeaker has been working for a short period of time).

*** The X_{max} is calculated as $(L_{vc} - H_{ag})/2 + (H_{ag}/3,5)$, where L_{vc} is the voice coil length and H_{ag} is the air gap height.

FREE AIR IMPEDANCE CURVE



FREQUENCY RESPONSE AND DISTORTION



Note: On axis frequency response measured with loudspeaker standing on infinite baffle in anechoic chamber, 1W @ 1m