

KEY FEATURES

- 1" (25,4 mm) aluminum voice coil
- Great power handling: 15 W_{AES}
- Narrow directivity: 40° conical
- Aluminum diaphragm
- High sensitivity: 105 dB (1W / 1m)
- Designed for outdoor applications
- Designed for using in multi-element loudspeaker systems in sound reinforcement applications

TECHNICAL SPECIFICATIONS

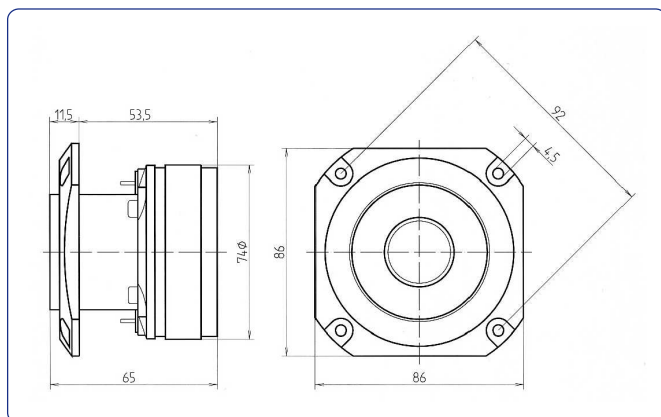
Rated impedance	8 Ω
Minimum impedance	6,4 Ω @ 3,5 kHz
D.C. resistance	5,4 Ω
Power capacity*	15 W _{AES} above 5 kHz
Program power	30 W above 5 kHz
Sensitivity**	105 dB 1W / 1m
Frequency range	3 - 20 kHz
Recommended crossover	6 kHz or higher (12 dB/oct min.)
Dispersion H x V	40° conical
Voice coil diameter	25,4 mm 1 in
Flux density	1,45 T
BI factor	4 N/A

MOUNTING INFORMATION

Overall diameter	86 x 86 mm	3,38 x 3,38 in
Bolt circle diameter	92 mm	3,62 in
Baffle cutout dimensions	75 mm	2,95 in
Depth	65 mm	2,56 in
Net weight	0,75 kg	1,65 lb
Shipping weight	0,80 kg	1,76 lb



DIMENSION DRAWINGS

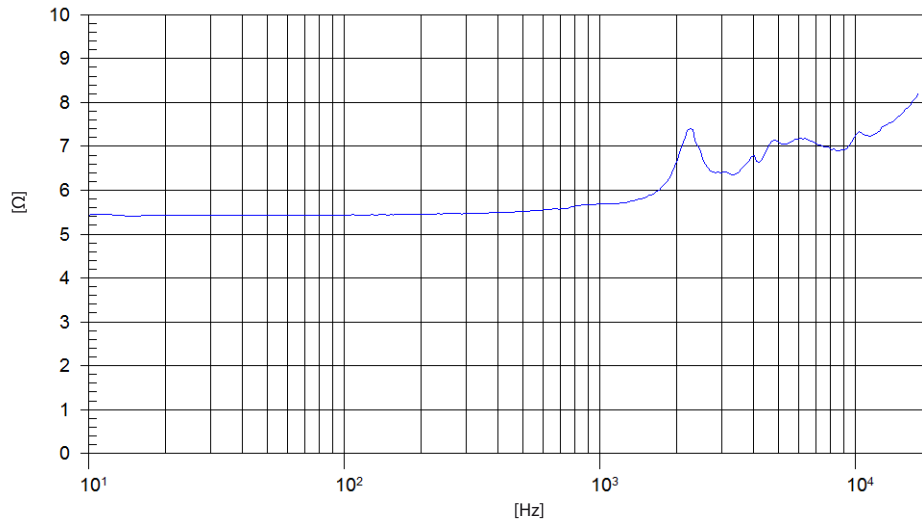


Notes:

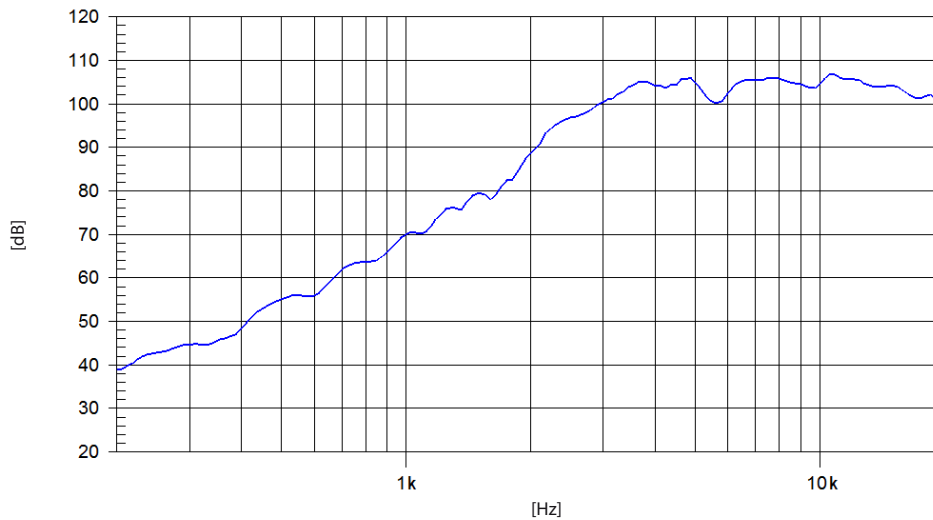
* The power capacity is determined according to AES2-1984 (r2003) standard. Program power is defined as the transducer's ability to handle normal music program material.

** Sensitivity was measured at 1m distance, on axis, with 1W input, averaged in the range 4 - 12 kHz.

FREE AIR IMPEDANCE CURVE



FREQUENCY RESPONSE AND DISTORTION



Note: On axis frequency response measured at 1W @ 1m