

KEY FEATURES

- High power handling: 400 W_{AES}
- 3" copper voice coil
- High sensitivity: 97 dB
- Low harmonic distortion
- Optimum winding length for increased linear excursion
- Extended response in the medium frequency range
- Designed for high power subwoofer applications

TECHNICAL SPECIFICATIONS

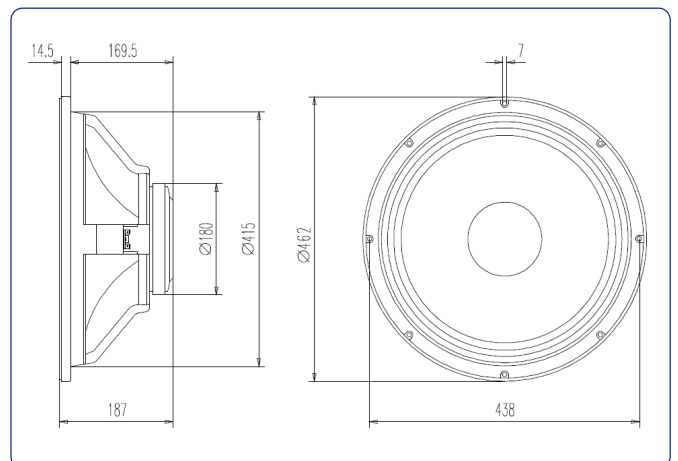
Nominal diameter	460 mm	18 in
Rated impedance		8 Ω
Minimum impedance		7,4 Ω
Power capacity*	400 W _{AES}	
Program power	800 W	
Sensitivity	97 dB	1W / 1m @ Z _N
Frequency range		40 - 4.000 Hz
Recom. enclosure vol.	60 / 150 l	2,1 / 5,3 ft ³
Voice coil diameter	77 mm	3 in
Magnetic assembly weight	5 kg	11 lb
BI factor		18,3 N/A
Moving mass		0,130 kg
Voice coil length		17,5 mm
Air gap height		7 mm
X _{damage} (peak to peak)		30 mm

THIELE-SMALL PARAMETERS**

Resonant frequency, f _s	42 Hz
D.C. Voice coil resistance, R _e	6,3 Ω
Mechanical Quality Factor, Q _{ms}	5,5
Electrical Quality Factor, Q _{es}	0,65
Total Quality Factor, Q _{ts}	0,58
Equivalent Air Volume to C _{ms} , V _{as}	206 l
Mechanical Compliance, C _{ms}	110 μm / N
Mechanical Resistance, R _{ms}	6,2 kg / s
Efficiency, η ₀	2,3 %
Effective Surface Area, S _d	0,1150 m ²
Maximum Displacement, X _{max} ***	7,25 mm
Displacement Volume, V _d	834 cm ³
Voice Coil Inductance, L _e	1,1 mH



DIMENSION DRAWINGS



MOUNTING INFORMATION

Overall diameter	462 mm	18,2 in
Bolt circle diameter	438 mm	17,2 in
Baffle cutout diameter:		
- Front mount	415 mm	16,3 in
Depth	187 mm	7,4 in
Net weight	7 kg	15,4 lb
Shipping weight	8 kg	17,6 lb

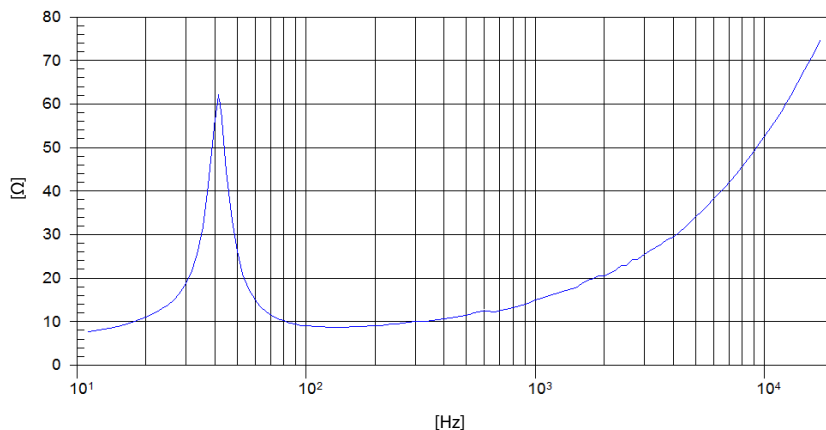
Notes:

* The power capacity is determined according to AES2-1984 (r2003) standard. Program power is defined as the transducer's ability to handle normal music program material.

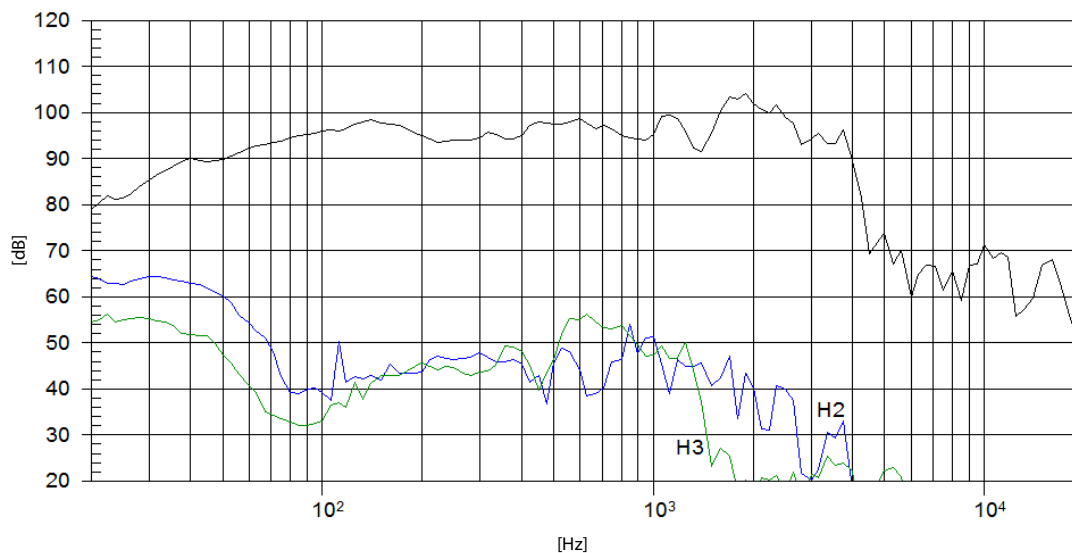
** T-S parameters are measured after an exercise period using a preconditioning power test. The measurements are carried out with a velocity-current laser transducer and will reflect the long term parameters (once the loudspeaker has been working for a short period of time).

*** The X_{max} is calculated as (L_{vc} - H_{ag})/2 + (H_{ag}/3,5), where L_{vc} is the voice coil length and H_{ag} is the air gap height.

FREE AIR IMPEDANCE CURVE



FREQUENCY RESPONSE AND DISTORTION



Note: On axis frequency response measured with loudspeaker standing on infinite baffle in anechoic chamber, 1W @ 1m