

KEY FEATURES

- 1" (25.8 mm) edgewound aluminium ribbon voice coil
- Great power handling: 15 w AES
- Similar model to the CP 16, with higher sensitivity: 107 dB
- Designed for outdoor applications, semi-professional systems and high fidelity designs.

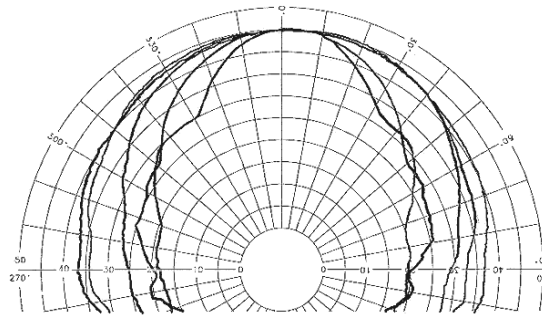


GENERAL DESCRIPTION

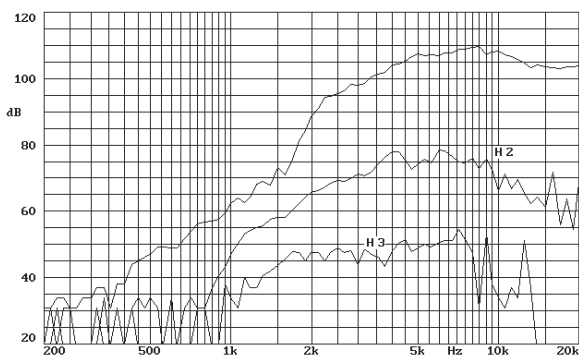
The model CP 12/N is a professional lightweight compression tweeter, featuring an aluminium voice coil-diaphragm assembly. This device has a smooth response in all its frequency range with an incredibly high sound pressure (107 dB), as well as a narrow controlled dispersion for long throw applications. This model is well suited for use in two or three-way compact size enclosures.

The diaphragm assembly is field replaceable without soldering.

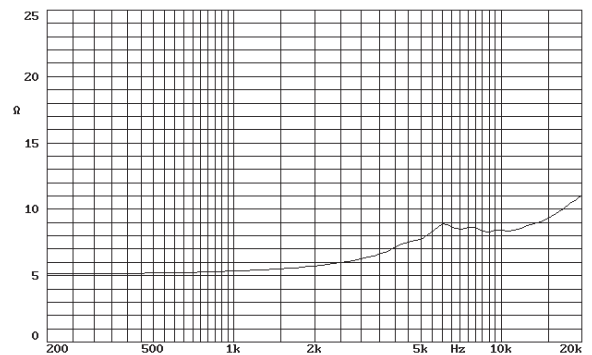
HORIZONTAL POLAR PATTERN



FREQUENCY RESPONSE AND DISTORTION CURVES



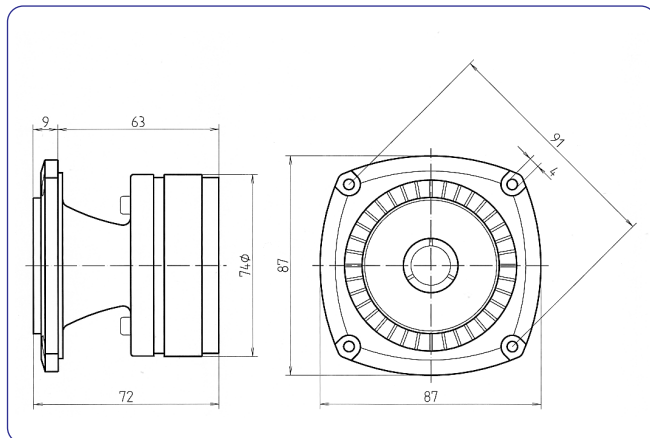
FREE AIR IMPEDANCE CURVE



TECHNICAL SPECIFICATIONS

Rated impedance		8 ohms.
Minimum impedance	8 ohms. @ 8 kHz	
D.C. Resistance		5 ohms.
Power capacity*		15 w AES
Program Power		30 w
Sensitivity**	107 dB 1w @ 1m.	
Frequency range		3 - 20 kHz
Recommended crossover	6 kHz, 12 dB/oct. min.	
Dispersion H x V		40° conical
Voice coil diameter		25.8 mm. 1 in.
Magnetic assembly weight		0.7 kg. 1.54 lb.
Flux density		1.4 T
BL Factor		4 N/A

DIMENSION DRAWINGS



MOUNTING INFORMATION

Overall diameter	87 x 87 mm.	3.4 x 3.4 in.
Depth	72 mm.	2.83 in.
Baffle cutout dimensions	ø 74 mm.	2.9 in.
Bolt circle diameter	91 mm.	3.58 in.
Net weight	0.75 kg.	1.65 lb.
Shipping weight	0.85 kg.	1.87 lb.

Notes:

*The power capacity is determined according to AES2-1984 (r2003) standard. Program power is defined as the transducer's ability to handle normal music program material.

**Sensitivity was measured at 1 m distance, on axis, with 1 w input, averaged in the range 3-15 kHz

MATERIALS

- **Diaphragm:** Aluminium
- **Voice coil:** Edgewound aluminium ribbon
- **Voice coil former:** Nomex
- **Magnet:** Ferrite



acústica beyma, s.a.