

15 DX

CO-AXIAL LOUDSPEAKER

DESCRIPTION

This model consists in a 15" bass loudspeaker, with high power capacity, and a 2" compression driver, concentrically mounted and using the same magnetic circuit. The bass unit uses a 4.5" voice coil, attached to a double suspension system. The high frequency driver includes a titanium diaphragm and a 4" voice coil.

SPECIFICATIONS-BASS DRIVER

Nominal diameter	380 mm.	15 in.
Rated impedance	8 ohms.	
Power capacity	350 w	
Sensitivity	97 dB	1w @ 1m
Frequency range	35-1500 Hz	
Recommended enclosure vol.	60-180 l	2.14-6.35 ft. ³
Voice coil diameter	114 mm.	4.5"
Magnetic assembly weight	9.4 kg.	20.68 lb.
BL Factor	18.4 N/A	
Moving mass	0.110 kg	

Positive voltage on red terminal moves diaphragm forward

THIELE-SMALL PARAMETERS

Fs	40 Hz	
Re	5.6 ohm.	
Qms	9.2	
Qes	0.45	
Qts	0.43	
Vas	160 l	5.64 ft. ³
η _o	2.5 %	
Sd	0.088 m. ²	136 in. ²
X _{max}	4 mm.	
Vd	350 cm. ³	21.36 in. ³
Le	1.5 mH	

SPECIFICATIONS-H.F. DRIVER

Rated impedance	8 ohms.	
Power capacity	125 w	
Frequency range	800-17 kHz	
Sensitivity	105 dB	1w @ 1 m
Voice coil diameter	100 mm.	4 in.
Voice coil inductance	0.15 mH	
BL Factor	14 N/A	
Dispersion	90°	

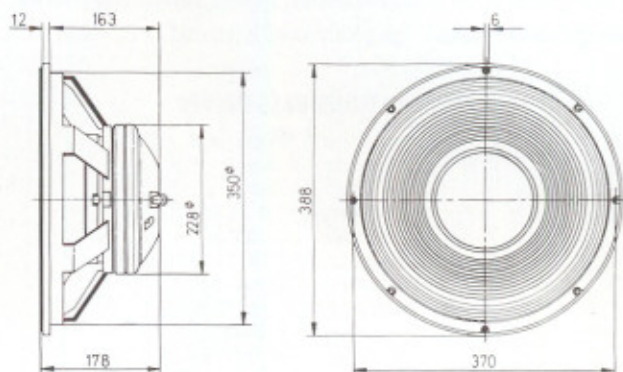
Positive voltage on red terminal moves diaphragm toward the phase plug

MOUNTING INFORMATION

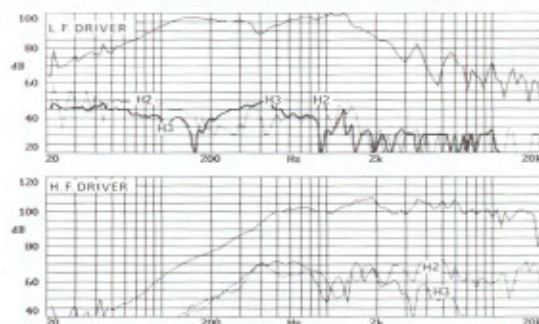
Overall diameter	388 mm.	15.28 in.
Bolt circle diameter	370 mm.	14.57 in.
Baffle cutout diameter:		
-Front mount	352 mm.	13.86 in.
-Rear mount	355 mm.	13.98 in.
Volume displaced by driver	7 l	0.25 ft. ³
Net weight	11.3 kg.	24.86 lb.
Shipping weight	12.5 kg.	25 lb.
Depth	178 mm.	7 in.

MATERIALS

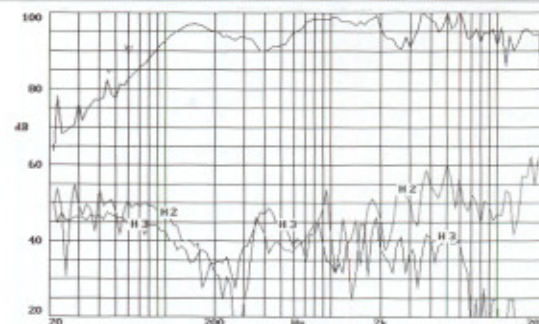
L.F. Unit	
Basket	Die cast aluminium
Cone	Paper
Surround	Plasticised cloth
Voice coil material	Edgewound copper ribbon
H.F. Unit	
Diaphragm	Titanium
Voice coil material	Edgewound copper clad aluminium ribbon



Response & Distortion* curves. On axis, 1 w @ 1 m



Response Measurement, with FD-210 Crossover, 1 w @ 1 m



PREDICTED LOW FREQUENCY RESPONSE • Bass-reflex cabinet, Vb=100 l, fb=45 Hz

