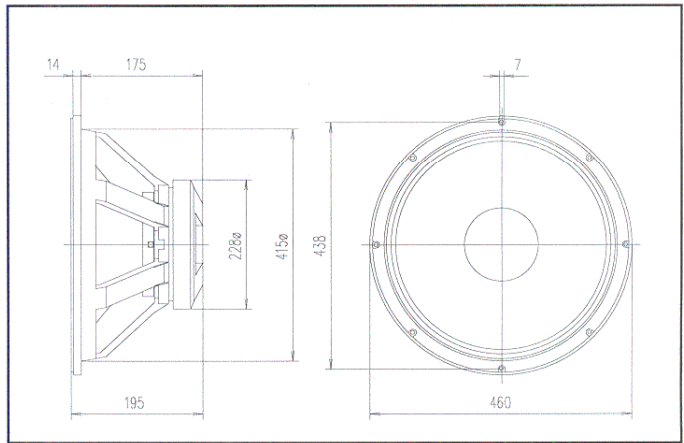


# 18 GT400

## LOW FREQUENCY LOUDSPEAKER

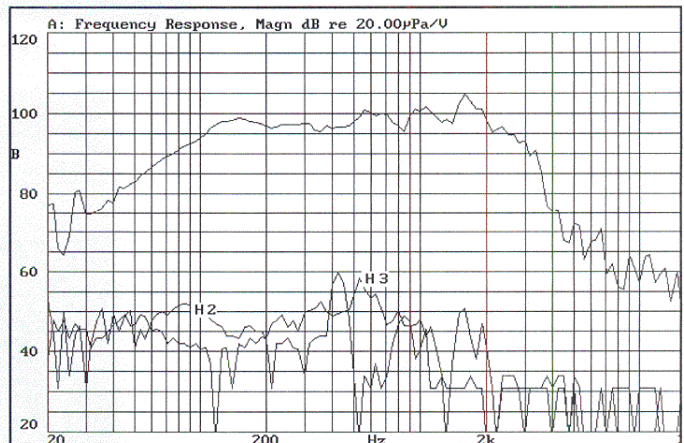
### DESCRIPTION

This 18" loudspeaker has been designed to deliver maximum levels of clean bass with high efficiency and with ability to handle exceptional continuous power. It features a double spider construction, 4" voice coil diameter, edgewound copper ribbon wire, and symmetrical magnetic field arrangement.



### SPECIFICATIONS

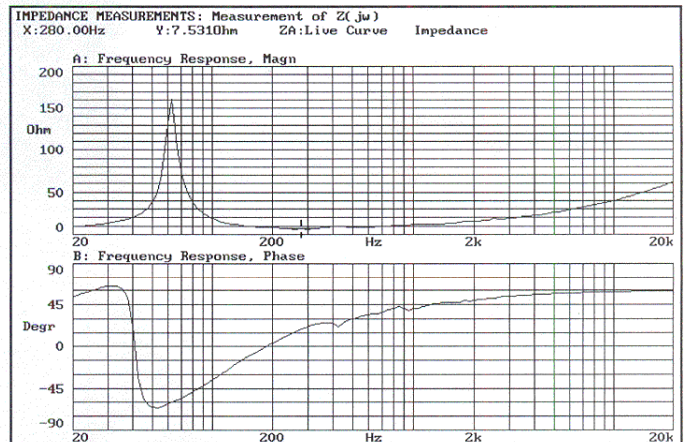
Nominal diameter	460 mm
Rated impedance	8 ohms
Power capacity	400 w
Sensitivity	99 dB
Frequency range	30-3000 Hz
Recom. enclosure volume	80-200 l
Voice coil diameter	100 mm-4"
Magnet assembly weight	9 kg
BI factor	22.4 N/A
Moving mass	0.145 kg



Positive voltage on red terminal moves diaphragm forward

### THIELE-SMALL PARAMETERS

$f_s$	40 Hz
$R_e$	5.5 Ohms
$Q_{ms}$	8.77
$Q_{es}$	0.4
$Q_{ts}$	0.38
$V_{as}$	185 l
$\eta$	2.8 %
$S_d$	0.110 m <sup>2</sup>
$X_{max}$	7 mm
$V_d$	770 cm <sup>3</sup>
$L_e$	1.6 mH



### MOUNTING INFORMATION

Overall diameter	460 mm
Bolt circle diameter	438 mm
Baffle cutout diameter:	
-Front mount	415 mm
-Rear mount	400 mm
Depth	192 mm
Volume displaced by driver	13 l
Net weight	11.5 kg
Shipping weight	13 kg

### MATERIALS

Basket	Die cast aluminium
Cone	Paper
Surround	Plasticised cloth
Voice coil material	Flat copper wire

