

SMC-55

HIGH FREQUENCY COMPRESSION DRIVER

DESCRIPTION

This 2" professional high quality compression driver features a lightweight diaphragm assembly made with pure titanium material for the dome and surround, attached to a 3" edgewound aluminium ribbon voice coil, providing exceptional high acoustic pressure over an extremely wide frequency range. The use of a rim centred diaphragm permits simple field replacement without soldering.



SPECIFICATIONS

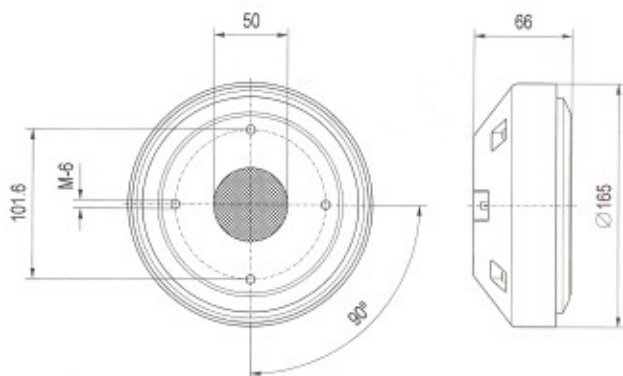
Throat diameter	49 mm	2 in
Rated impedance	8 ohms	
D.C. Resistance	5.6 ohms	
Power capacity	70 w RMS above 1 kHz	
Program power	140 w above 1 kHz	
Sensitivity	108 dB 1 w @ 1m coupled to TD 460/N horn	
Frequency range	0.6 - 17 kHz	
Recommended crossover	0.8 kHz or higher	
Voice coil diameter	72.2 mm	2.84 in
Magnetic assembly weight	3.2 kg	7.04 lb
Flux density	1.65 T	
BL factor	9 N/A	

MOUNTING INFORMATION

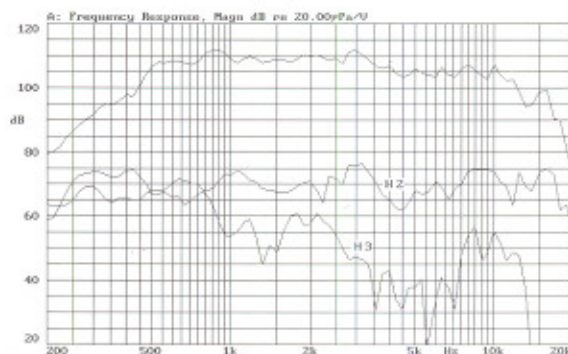
Overall diameter	165 mm	6.5 in
Depth	66 mm	2.6 in
Net weight	4 kg	8.8 lb
Shipping weight	4.5 kg	9.9 lb
Mounting	Four M-6 threaded holes, 90° apart on 101.6 mm diameter circle	

MATERIALS

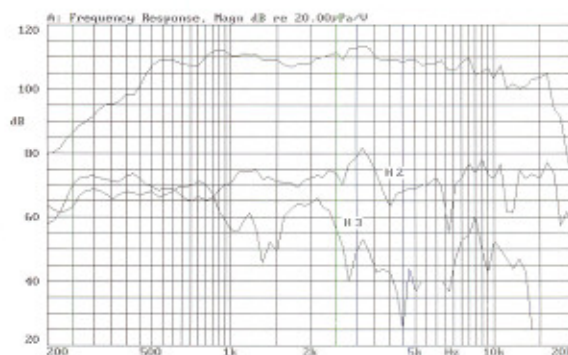
Diaphragm	Titanium
Voice coil	Aluminium
Voice coil former	Kapton
Magnet	Ferrite



FREQUENCY RESPONSE & DISTORTION CURVES, MAGN. On axis, 1w @ 1m.
Coupling to TD400 Horn



FREQUENCY RESPONSE & DISTORTION CURVES, MAGN. On axis, 1w @ 1m.
Coupling to TD460 Horn



FREQUENCY RESPONSE & DISTORTION CURVES, MAGN. On axis, 1w @ 1m.
Coupling to TD590 Horn

